



**AKPAI**  
ALUMINIUM

**Guillotine**  
window system



New Production

MOTORIZED VERTICAL SLIDING SYSTEM (LUX)

Guillotine

## Guillotine window system

Guillotine

M O T O R I Z E D V E R T I C A L S L I D I N G S Y S T E M ( L U X )



### Components of guillotine window system **New Production**

- Aluminum profiles, including side rails, floor profiles,
- Glass frame, engine box, power transmission tube, etc.
- Tubular engine
- Wireless remote control
- Plastic fittings
- Gear
- Belt
- Fittings and connections of the power transmission system
- Connecting screws



The **guillotine system** is an automatic window with a remote control in the vertical direction. It moves and opens and closes.

This system can be in two or three layers according to the customer's request. To be designed and implemented.

Guillotine windows can be folded upwards.

When folded down when the window is open, a shelter of about 90 cm, it is said that they ensure the safety of residents in different places such as balconies and roof gardens, and in Now, it can be folded up to allow movement from the location of the window.

Major uses These windows are in cafes and restaurants, hotel balconies, commercial and entertainment centers, villas and homes.

It is residential The profiles used in the guillotine system of this company with a unique design at the same time, Maintaining the resistance has a special elegance to give the most panoramic view to the users.

When the system is in the closed position, the rubber seals used in between The profile of the glass slats prevents water and dust from entering the area of use.

The AKPAi guillotine window can be controlled remotely by connecting to the customer's request

The building management network (BMS) or the application specific to the engines used in this system and It also has a connection to wind and rain sensors and can feel relaxed with this advantage double the sense of security of the residents.

The glass used in guillotine windows can be of single-paned type, security laminate 10mil or double-walled 20 mil strength

■ ■ ■

**Place of use:** suitable for large openings in villas, houses, hotels, restaurants, office and commercial buildings

**Function:** motorized system with wireless remote control.

The glass can be moved up or down behind a part they add up constantly.

**Features:** Double-paned or single-paned glass

MOTORIZED VERTICAL SLIDING SYSTEM (LUX)  
Guillotine New Production



# GUILLOTINE WINDOW SYSTEM

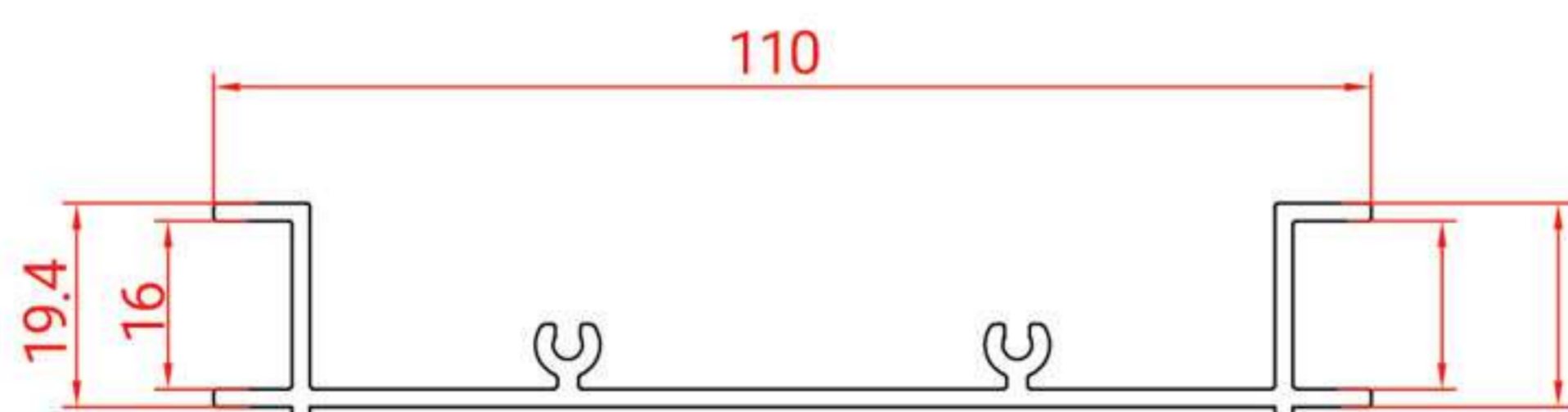
MOTORIZED VERTICAL SLIDING SYSTEM (LUX)



## Profiles Order Information

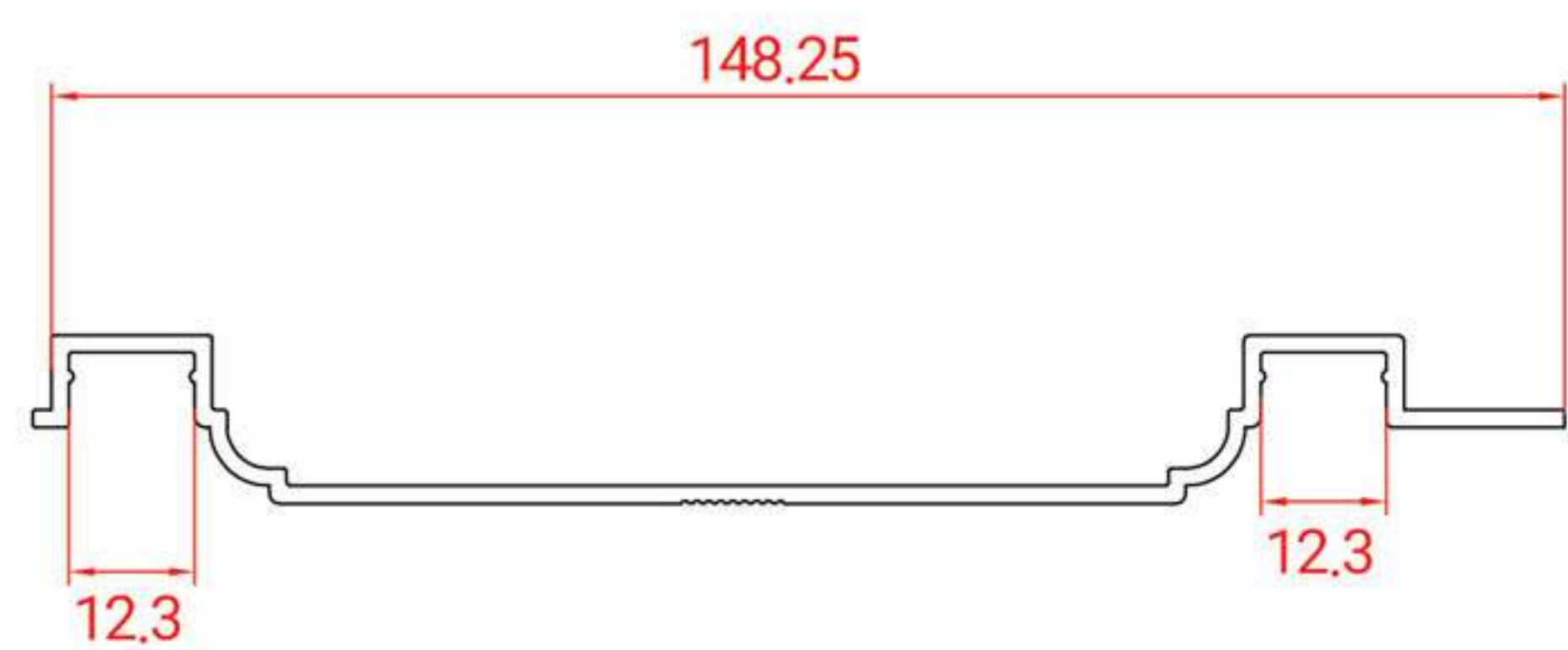
**01 3608**

**Top Cover Profile**  
0.861 kg/m



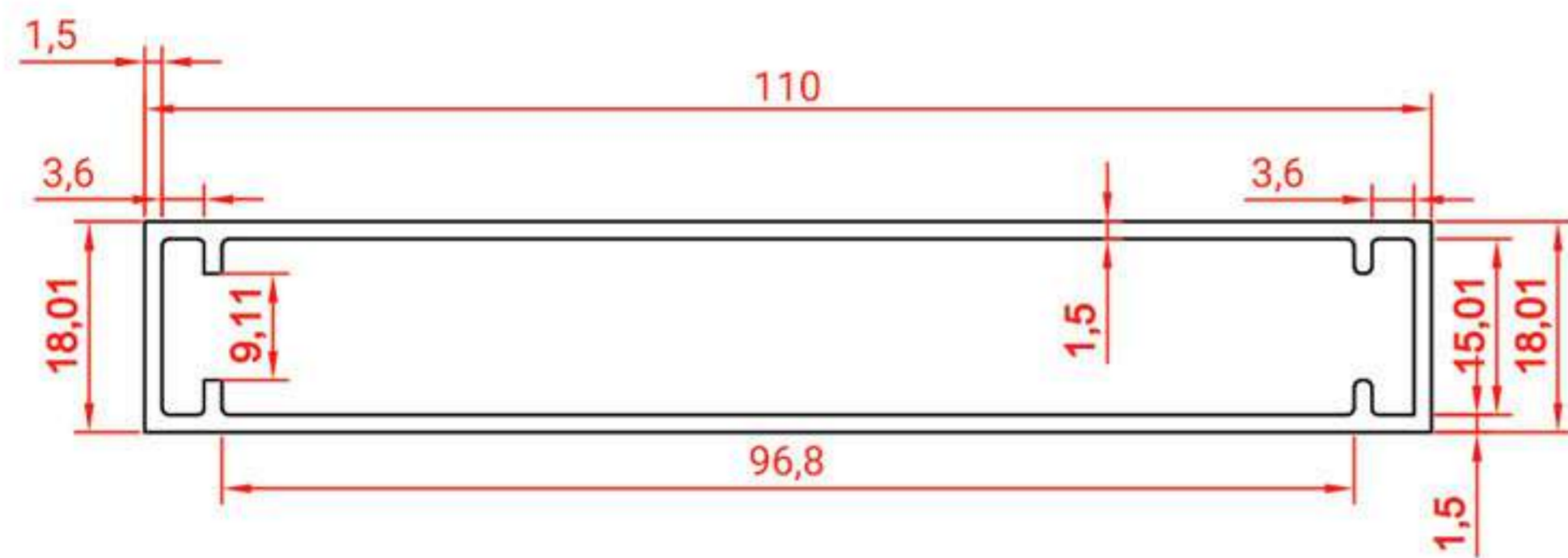
**02 3607**

**Side Cover Profile**  
0.890 kg/m



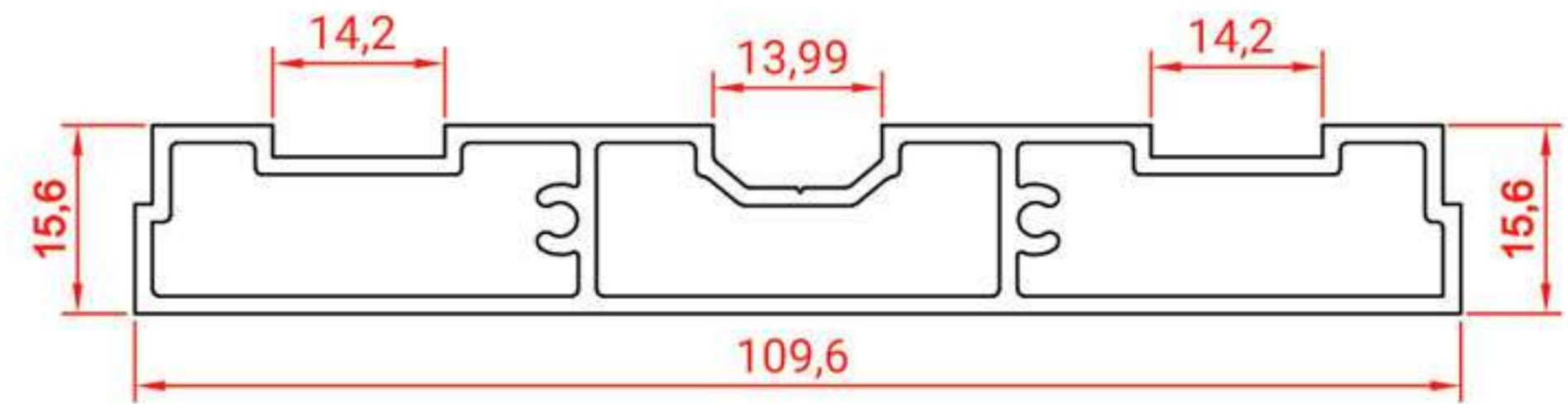
**03 3605**

**Floor Profile**  
1.065 kg/m



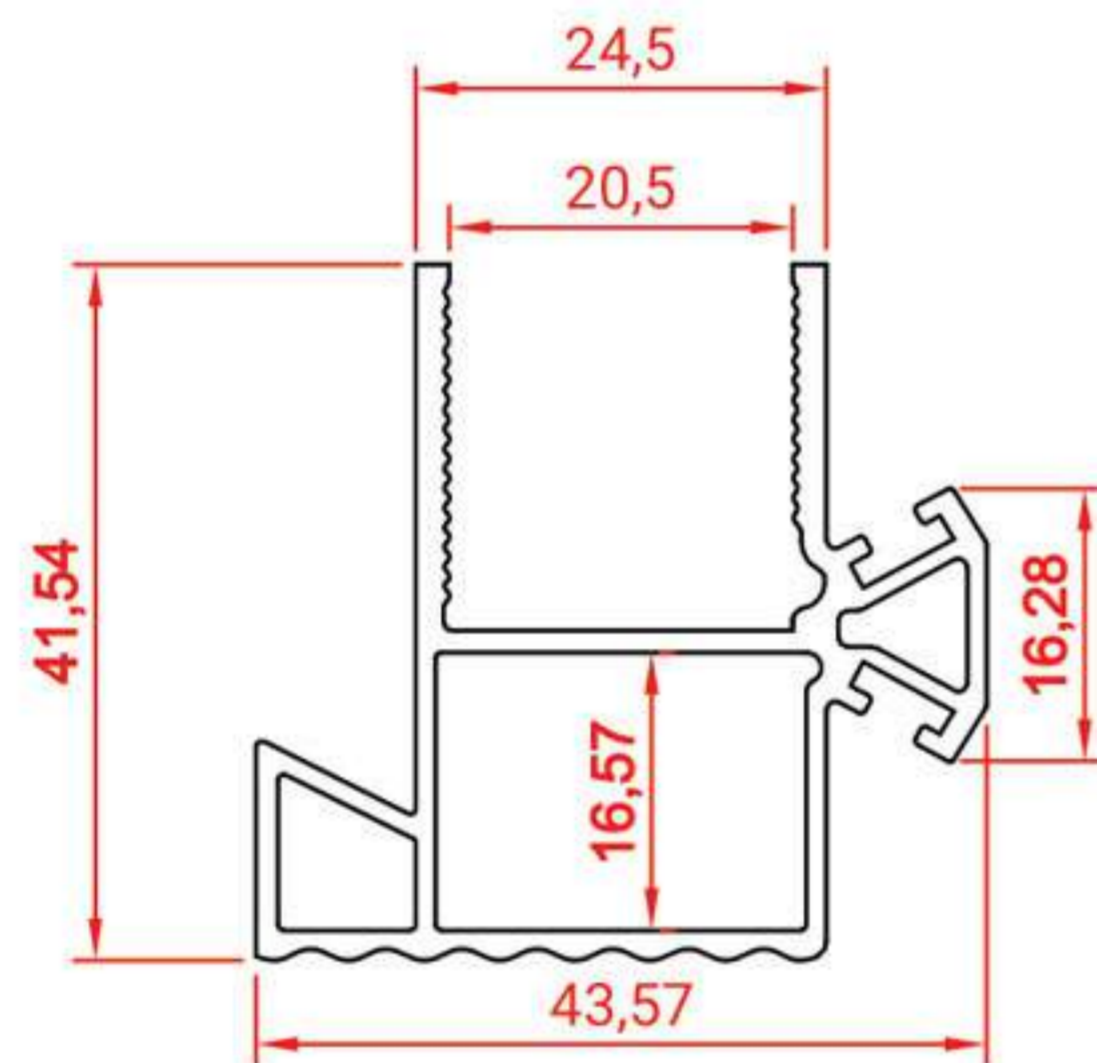
**04 3598**

**The main profile of the rail**  
1.196 kg/m



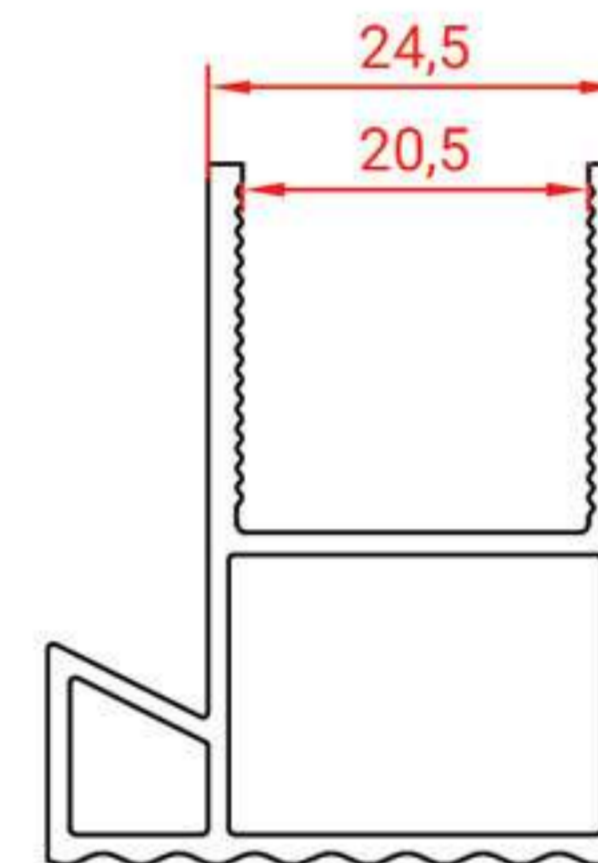
**05 3599**

**Double Coil Profile**  
0.754 kg/m



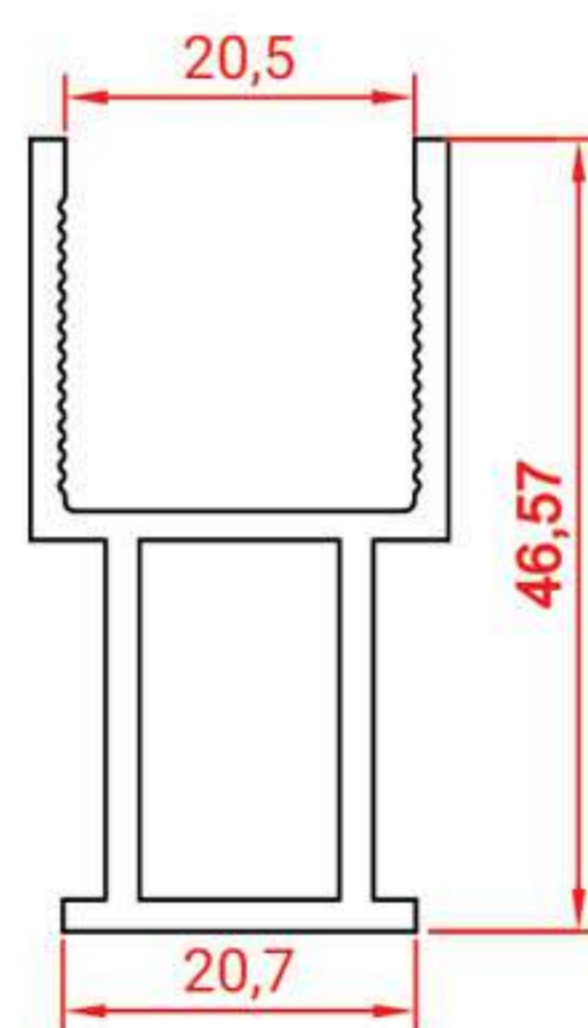
**06 3600**

**Single Coil Profile**  
0.621 kg/m



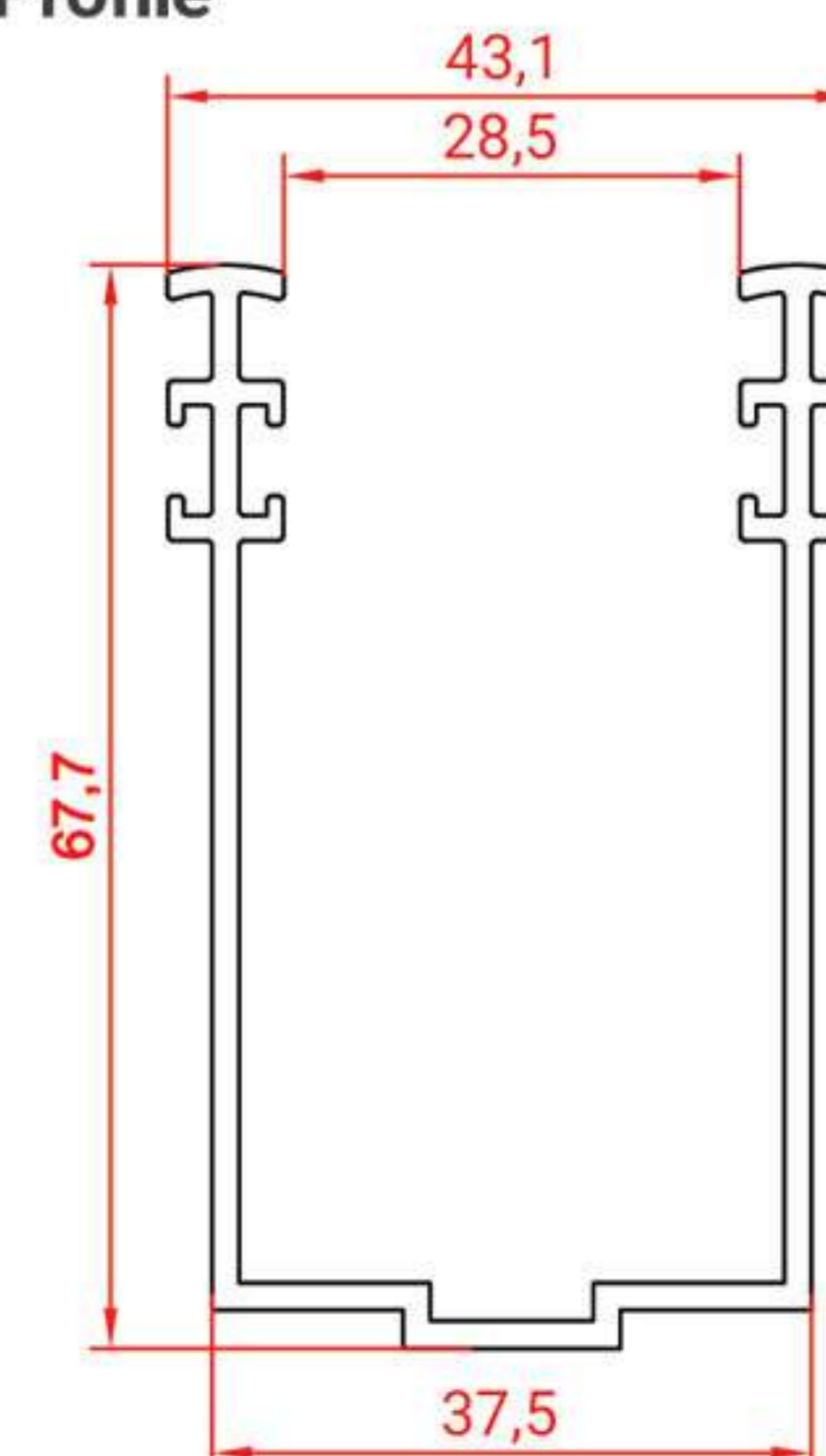
**07 3601**

**Simple Coil Profile**  
0.678 kg/m



**08 3601**

**Middle Rail Profile**  
0.952 kg/m

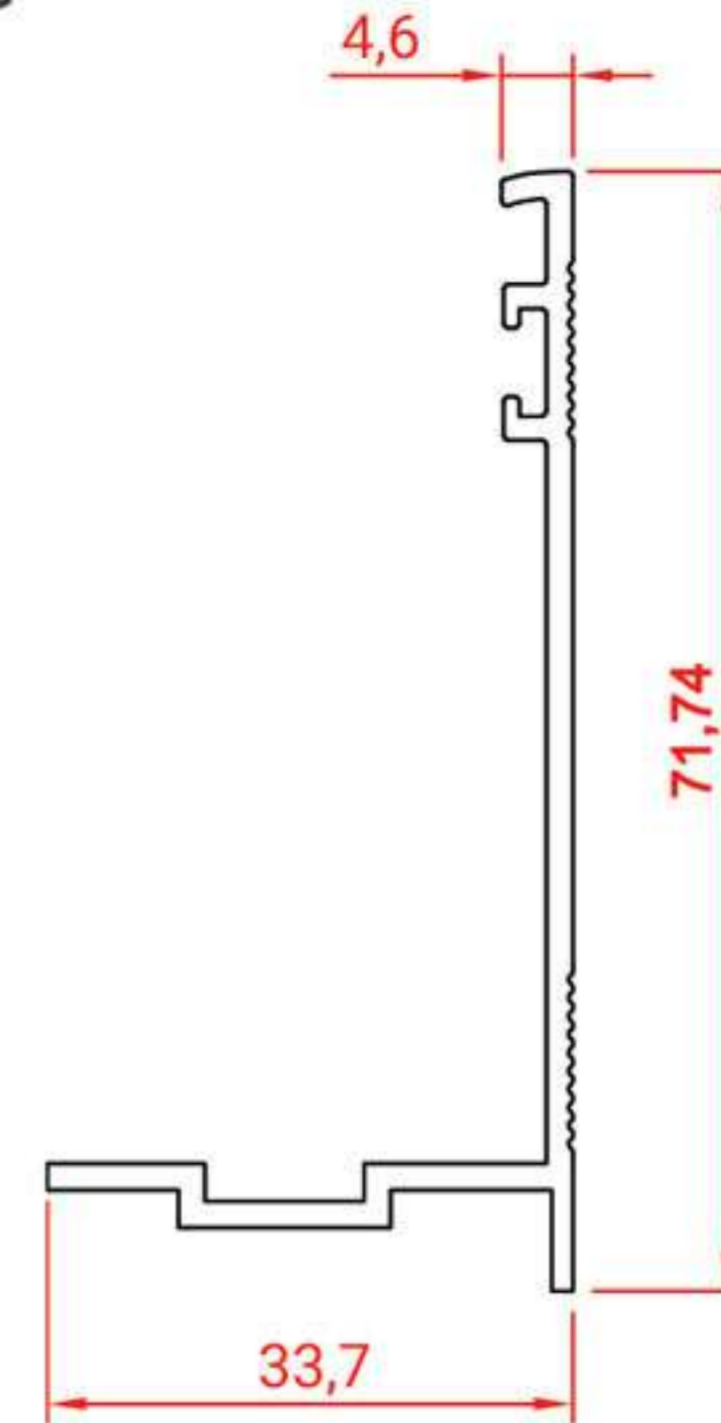


# Guillotine system

Profiles Order Information

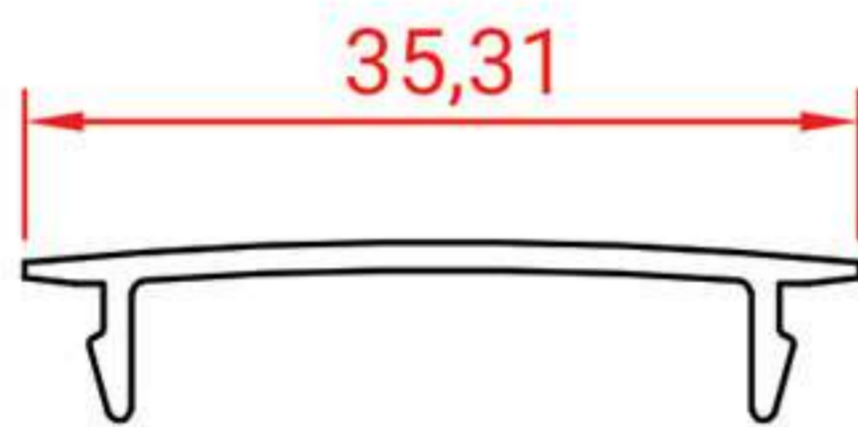
**09** 3603

**Side Rail Profile**  
0.531 kg/m



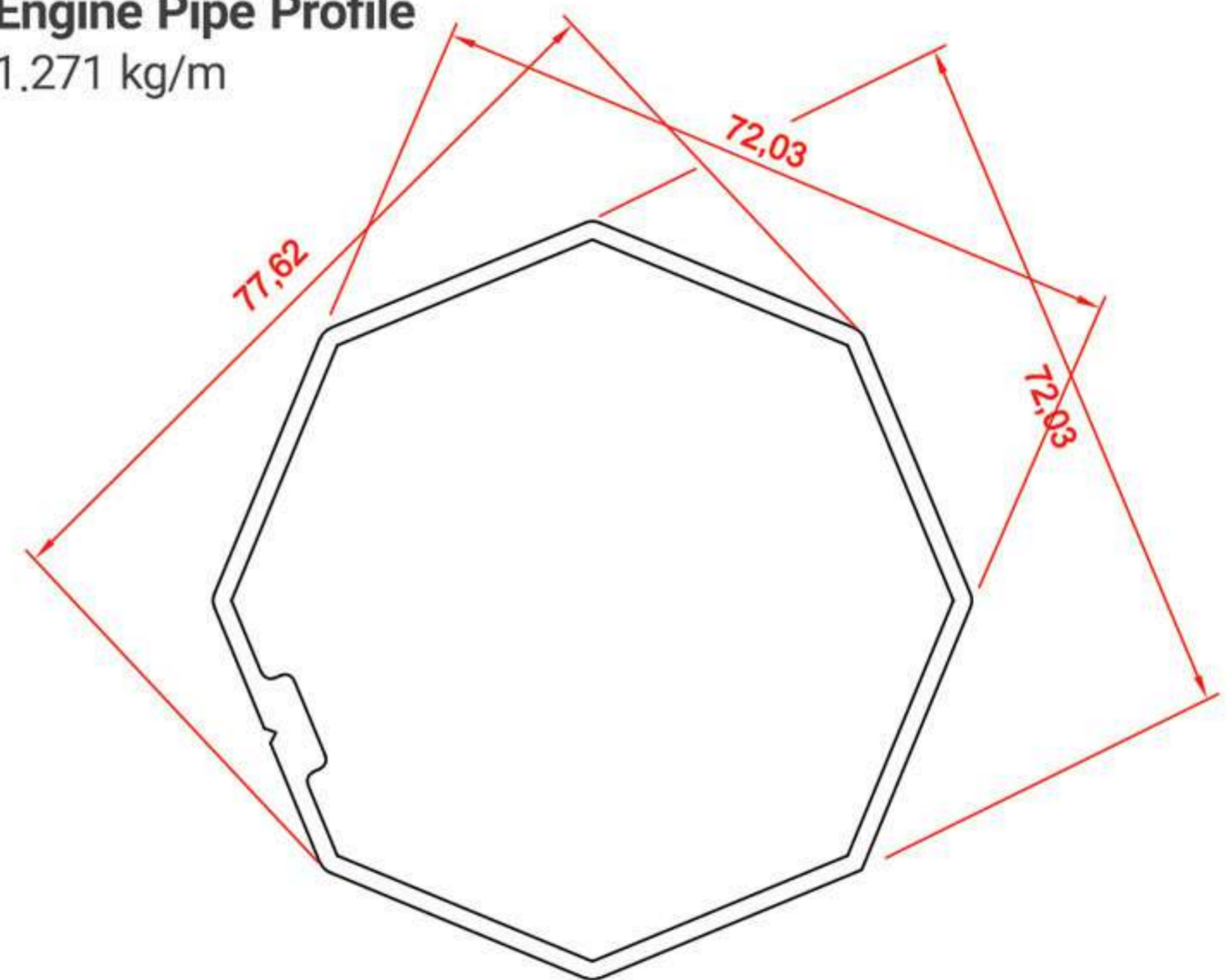
**10** 3602

**Cap Profile**  
0.155 kg/m



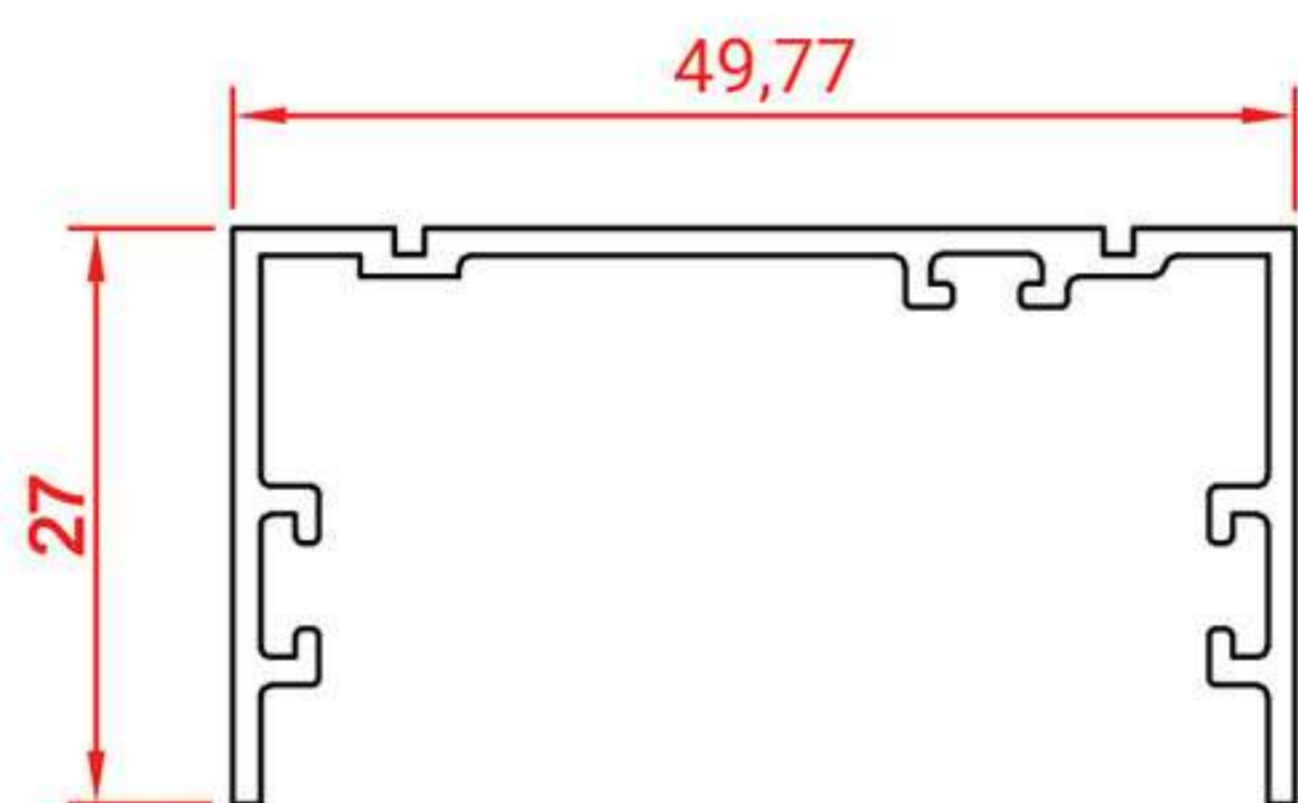
**11** 3596

**Engine Pipe Profile**  
1.271 kg/m



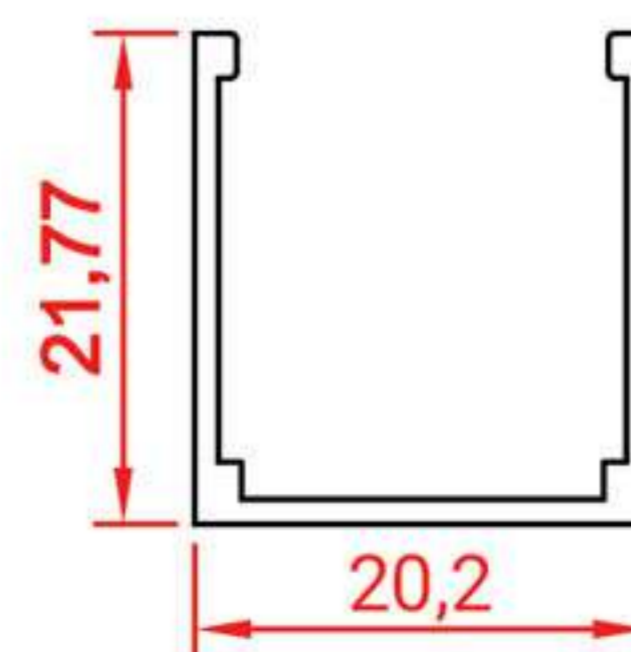
**12** 3597

**Cover Profile**  
0.450 kg/m



**13** 3606

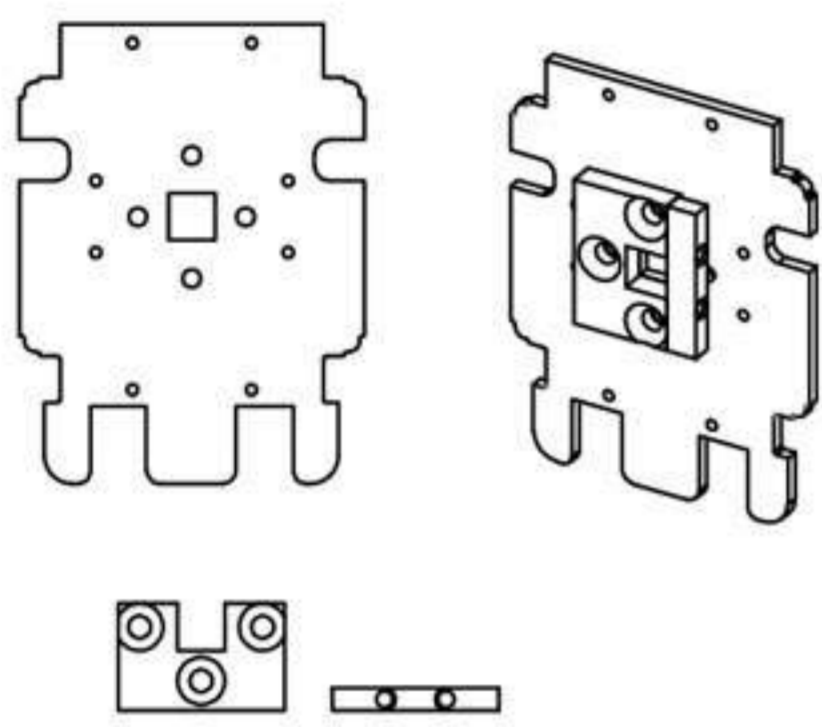
**Single Wall Hinged Adapter**  
0.205 kg/m





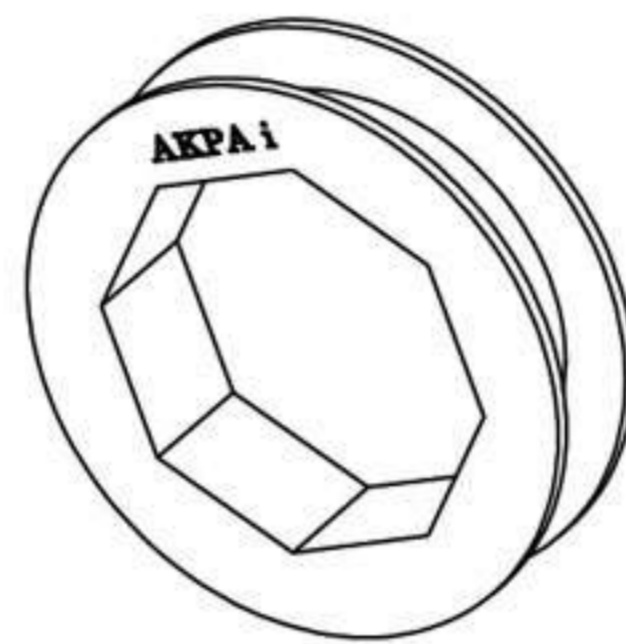
**01** 60618

Engine support track piece



**02** 60612

Belt pulley plastic piece



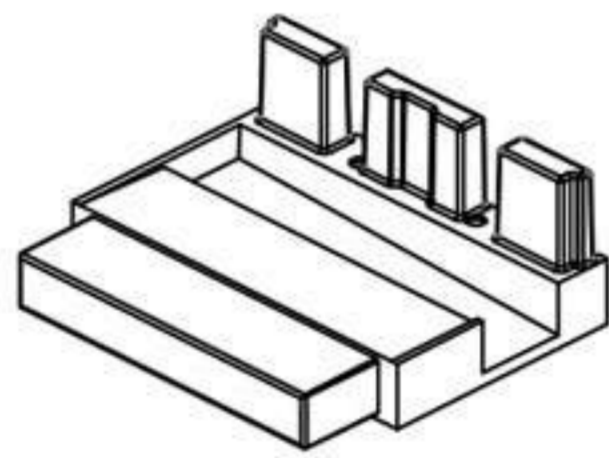
**03** MO60-006

Bumper rubber



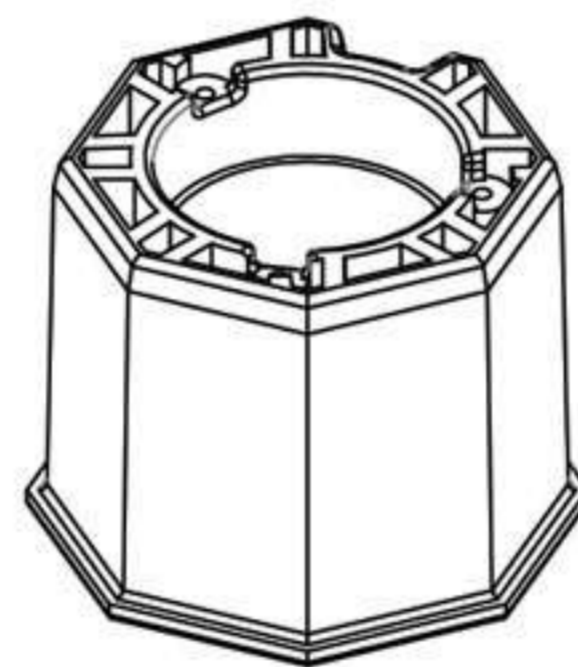
**04** 60613

Plastic piece of floor and wall profile



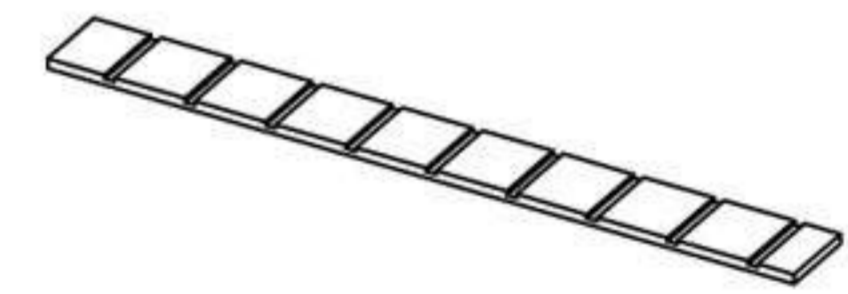
**05** 60614

Plastic part of engine pipe



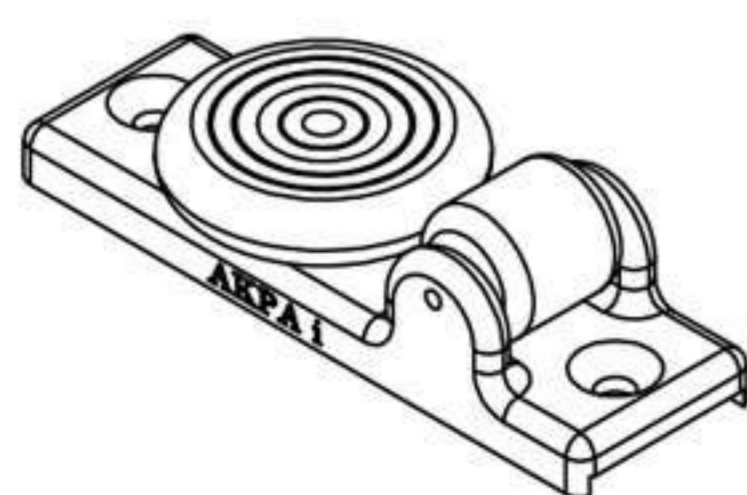
**06** 60617

Belt



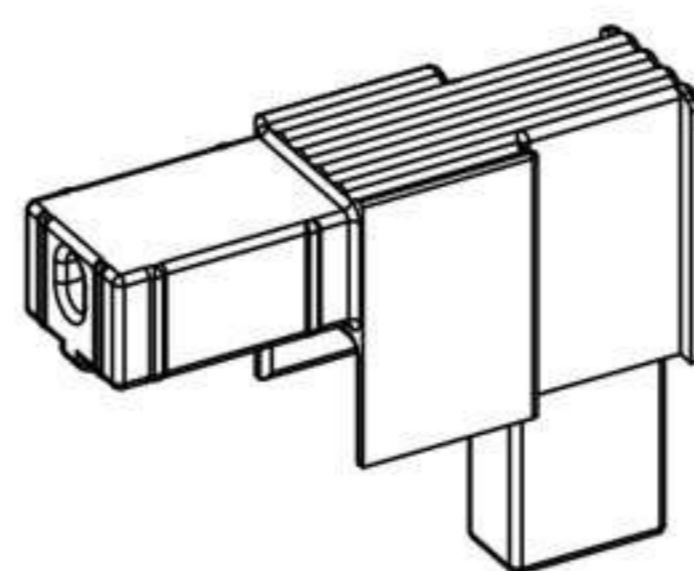
**07** 60615

Regulation piece



**08** 60616

Coil corner connection piece



**09** 60219

hairy

